

TECHNICAL BULLETIN

Disc Brake - Intraax

No: 47117-115

Subject: *Intraax Disc Brake Parts List*

Date: January 2004

Revision:

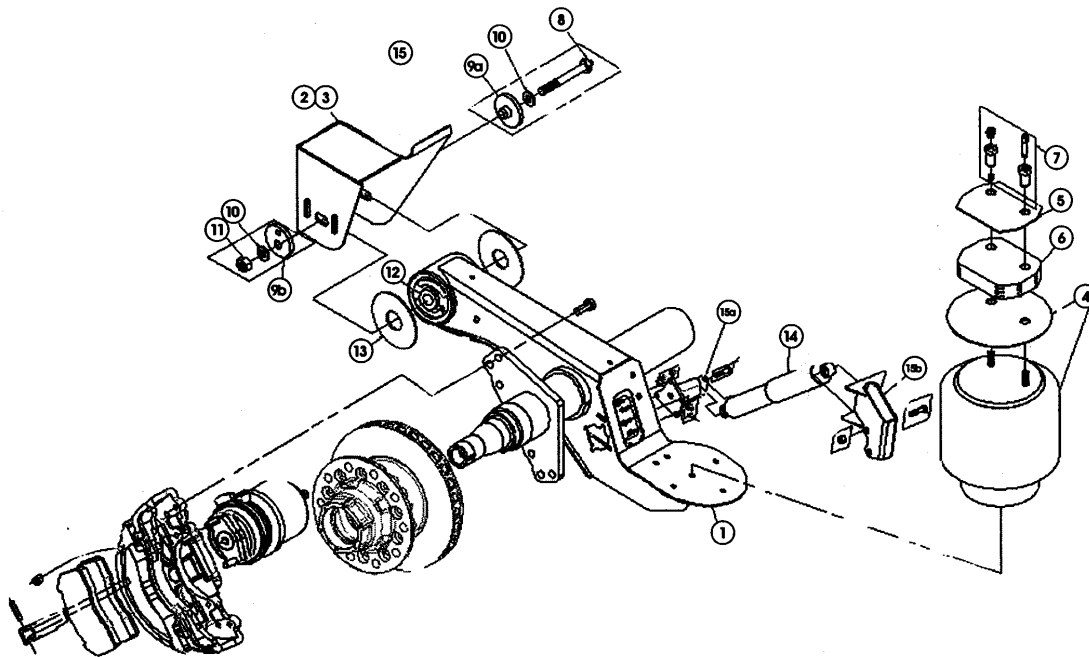
B

Intraax

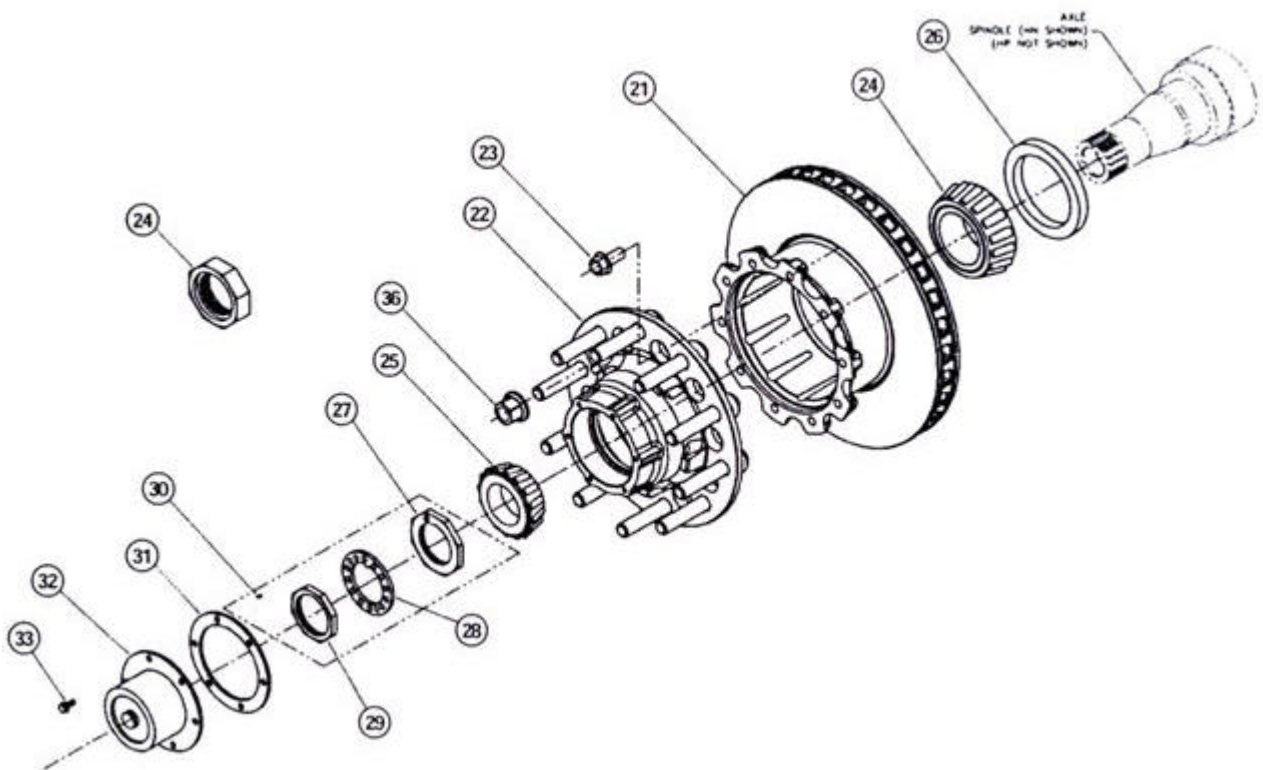
DISC BRAKE

PARTS LISTING

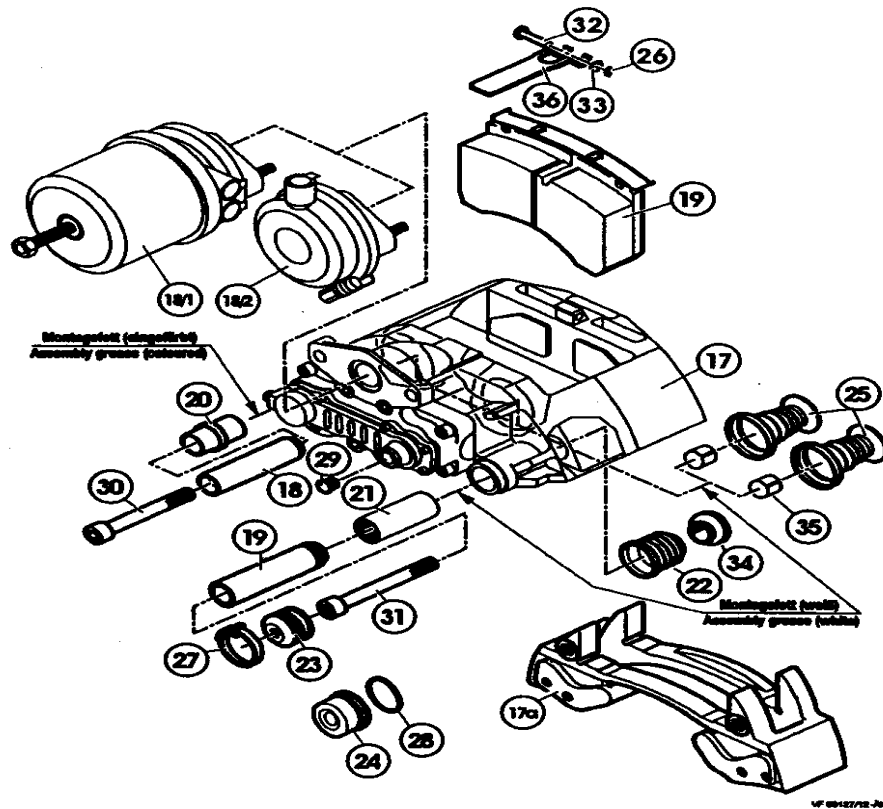
January 2004



Key	Description	Part No	Note
1	Half-Traax		Refer to Hendrickson for Part No
2	Hanger Bracket LH		Refer to Hendrickson for Part No
3	Hanger Bracket RH		Refer to Hendrickson for Part No
4	Air Spring		Refer to Hendrickson for Part No
5	Plate – Air Spring	B-20905	
6	Spacer – Air Spring		Refer to Hendrickson for Part No
7	Fittings – Air Spring		Refer to Hendrickson for Part No
8	Torq-rite Bolt, Quik-Align		Included in Kit S-24875
9a	Concentric Alignment Washer	C-20924	Included in Kit S-24875
9b	Eccentric Alignment Washer	C-20925	Included in Kit S-24875
10	Washers, Hardened		Included in Kit S-24875
11	Pivot Bolt, Quik Align		Included in Kit S-24875
12	Quik Align Pivot Bushing Kit	S-24706	Included in Kit S-24875
13	Wear Pad Bushing		Refer to Hendrickson for Part No
14	Shock Absorber		Refer to Hendrickson for Part No
15a	Shock Absorber Mount Lower	S-24807-1L	
15b	Shock Absorber Mount Upper	S-25420	
16	Calliper Mounting Bolts	97023-005	
17	Calliper LH	S-26923-1L	
	Calliper RH	S-26923-1R	
18a	Brake Booster	98832-020	(Knorr Unhanded)
18b	14/24	S-27340	
19	Disc Pads	98881-005	Suits 1 wheel end



Key	Description	Part No	Note
21	Rotor	S-26925	430mm Rotor
22	Hub		Refer to Hendrickson for Part Numbers
23	Hub/Rotor Bolt		Refer to Hendrickson for Part Numbers
24	Inner Bearing	98799-004	
25	Outer Bearing	98799-003	
26	Hub Seal	98794-001	
27	Spindle Nut Washer	A-20493	Part of A-20492 Kit
28	Inner Axle Nut	A-1985	Part of A-20492 Kit
29	Outer Axle Nut	A-1986	Part of A-20492 Kit
30	Set Screw	SA-2800-6	Part of A-20492 Kit
31	Hub Cap Gasket	98795-001	
32	Hub Cap	98846-001	
33	Hub Cap Bolts / Washer	98879-004	
34	One Piece Axle Nutset	98994-002	One Piece Nut System



Key	Description	Part No	Note
17	Calliper LH	S-26923-1L	
	Calliper RH	S-26923-1R	
18	Sleeve		Part of Kit 2 Part # 97097-001
19	Sleeve		Part of Kit 4 Part # 97097-002
20	Rubber Bushing		Part of Kit 2 Part # 97097-001
21	Brass Bushing		Part of Kit 4 Part # 97097-002
22	Inner Boot		Part of Kit 4 Part # 97097-002
23	Outer Boot		
24	Steel Cap		Part of Kit 4 Part # 97097-002
25	Tappet with Boot		Part of Kit 5 Part # 97097-003
26	Outer Boot Clip		
27	O-Ring		Part of Kit 4 Part # 97097-002
28	Adjuster Cap		
29	Caliper Bolt		Part of Kit 2 Part # 97097-001
30	Caliper Bolt		Part of Kit 4 Part # 97097-002
31	Washer		
32	Ring		Part of Kit 4 Part # 97097-002
33	Tappet Bushing		Part of Kit 5 Part # 97097-003
34	Spring Clip		Refer to Hendrickson for Part #
35	Pad Retainer Pin		Refer to Hendrickson for Part #
36	Pad Retainer Bracket		Refer to Hendrickson for Part #
19	Disc Pad Kit	9881-005	Suits 1 Wheel End