

Disc Brake - MaxiTraax®

No: 47117-114

Subject: *MaxiTraax Disc Brake Parts List*

Date: Jan 2004 Revision: B

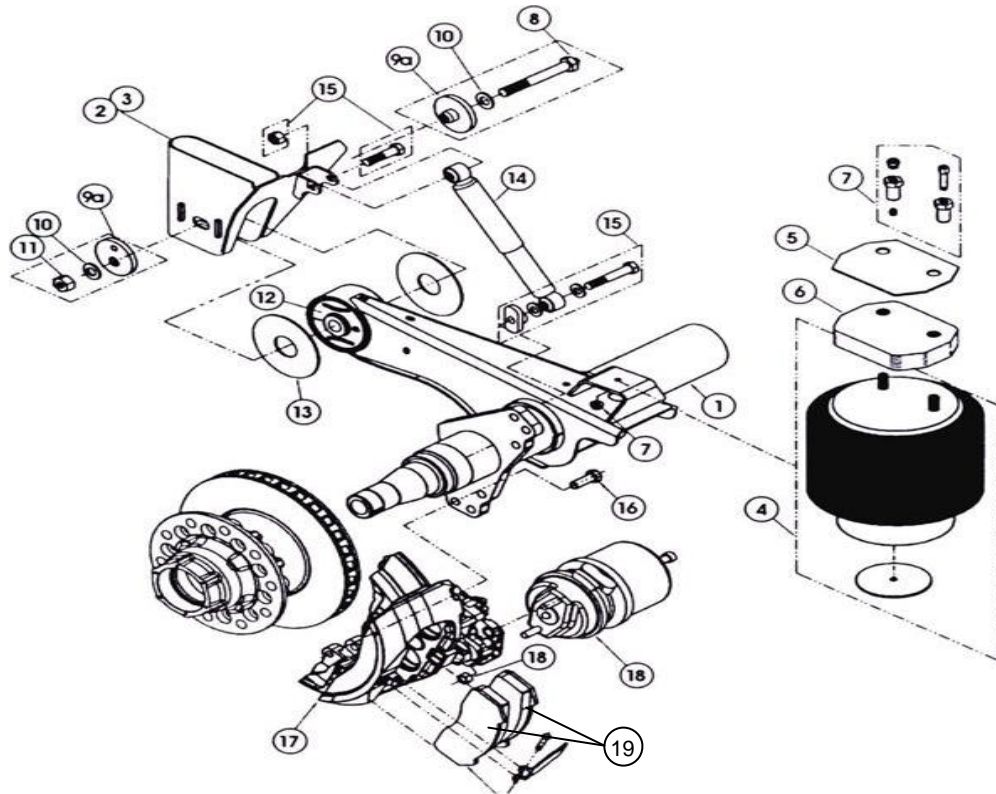
MaxiTraax®

DISC BRAKE

PARTS LISTING

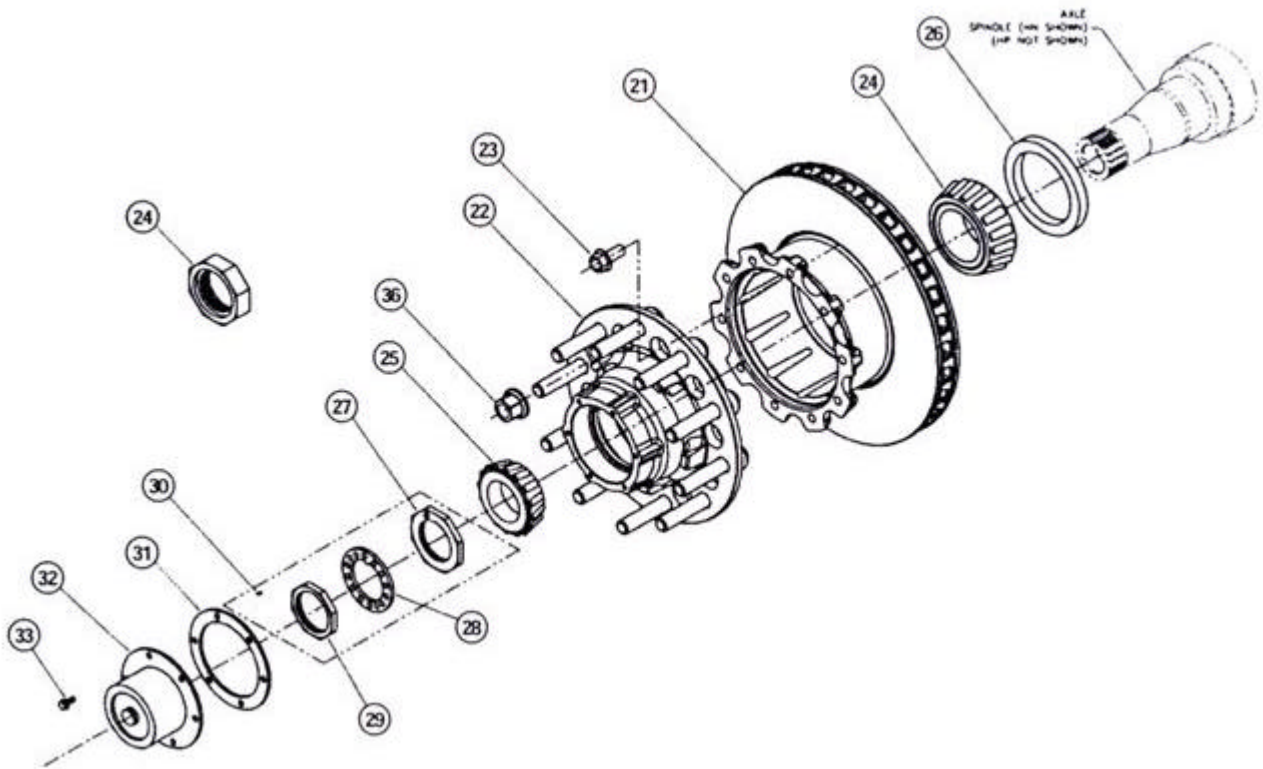
JANUARY 2004

MAXITRAAX

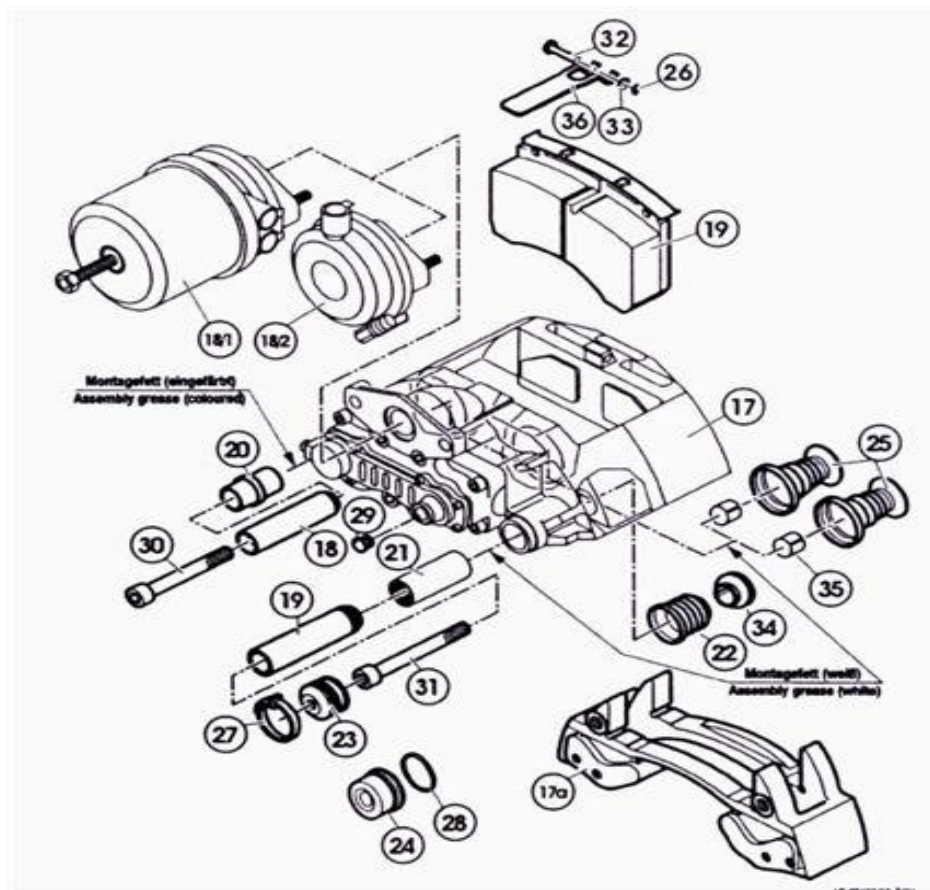


Key	Description	Part No	Note
1	Half-Traax	E1-230AXLE-6	
2a	Hanger Bracket LH	S-26105-1L	Complete LH Bracket
2b	Top Clevis Plate LH	98544-030	Top Clevis Replacement Kit (LH)
3a	Hanger Bracket RH	S-26105-1R	Complete RH Bracket
3b	Top Clevis Plate RH	98544-031	Top Clevis Replacement Kit (LH)
4	Air Spring	S-21800	
5	Plate – Air Spring	B-20905	
6	Spacer – Air Spring	S-22510-1	
7	Fittings – Air Spring	S-22630	
8	Torg-rite Bolt, Quik-Align		Included in Kit S-24875
9a	Concentric Alignment Washer	C-20924	Included in Kit S-24875
9b	Eccentric Alignment Washer	C-20925	Included in Kit S-24875
10	Washers, Hardened		Included in Kit S-24875
11	Pivot Bolt, Quik Align		Included in Kit S-24875
12	Quik Align Pivot Bushing Kit	S-26321	
13	Wear Pad Bushing	S-26807	70mm After to June 2003
13	Wear Pad Bushing	B-11613-2P	60mm Prior to June 2003
14	Shock Absorber		Refer to Hendrickson for Part No
15	Shock Absorber Hardware Kit	S-24049	Suits 1 Axle
	Shock Absorber Hardware Kit	S-23845	Suits 1 Shock Absorber
	Lower Shock Absorber Bolt	S-24058	
16	Calliper Mounting Bolts	97023-005	
17	Calliper LH	S-26923-1L	
	Calliper RH	S-26923-1R	
18a	Brake Booster 12/16	98832-020	(TSE Unhanded)
b	14/24	S-27340	(Knorr)
19	Disc Pads	98881-005	Suits 1 Wheel End

MAXITRAAX



Key	Description	Part No	Note
21	Rotor	S-26925	430mm Rotor
22	Hub		Refer to Hendrickson for Part Numbers
23	Hub/Rotor Bolt		Refer to Hendrickson for Part Numbers
24	Inner Bearing	98799-004	
25	Outer Bearing	98799-003	
26	Hub Seal	98794-001	
27	Spindle Nut Washer	A-20493	Part of A-20492 Kit
28	Inner Axle Nut	A-1985	Part of A-20492 Kit
29	Outer Axle Nut	A-1986	Part of A-20492 Kit
30	Set Screw	SA-2800-6	Part of A-20492 Kit
31	Hub Cap Gasket	98795-001	
32	Hub Cap	98846-001	
33	Hub Cap Bolts / Washer	98879-004	
34	One Piece Axle Nutset	98994-002	One Piece Nut System



Key	Description	Part No	Note
17	Calliper LH	S-26923-1L	
	Calliper RH	S-26923-1R	
18	Sleeve		Part of Kit 2 Part # 97097-001
19	Sleeve		Part of Kit 4 Part # 97097-002
20	Rubber Bushing		Part of Kit 2 Part # 97097-001
21	Brass Bushing		Part of Kit 4 Part # 97097-002
22	Inner Boot		Part of Kit 4 Part # 97097-002
23	Outer Boot		
24	Steel Cap		Part of Kit 4 Part # 97097-002
25	Tappet with Boot		Part of Kit 5 Part # 97097-003
26	Outer Boot Clip		
27	O-Ring		Part of Kit 4 Part # 97097-002
28	Adjuster Cap		
29	Calliper Bolt		Part of Kit 2 Part # 97097-001
30	Calliper Bolt		Part of Kit 4 Part # 97097-002
31	Washer		
32	Ring		Part of Kit 4 Part # 97097-002
33	Tappet Bushing		Part of Kit 5 Part # 97097-003
34	Spring Clip		Refer to Hendrickson for Part #
35	Pad Retainer Pin		Refer to Hendrickson for Part #
36	Pad Retainer Bracket		Refer to Hendrickson for Part #
19	Disc Pad Kit	98881-005	Suits 1 Wheel End