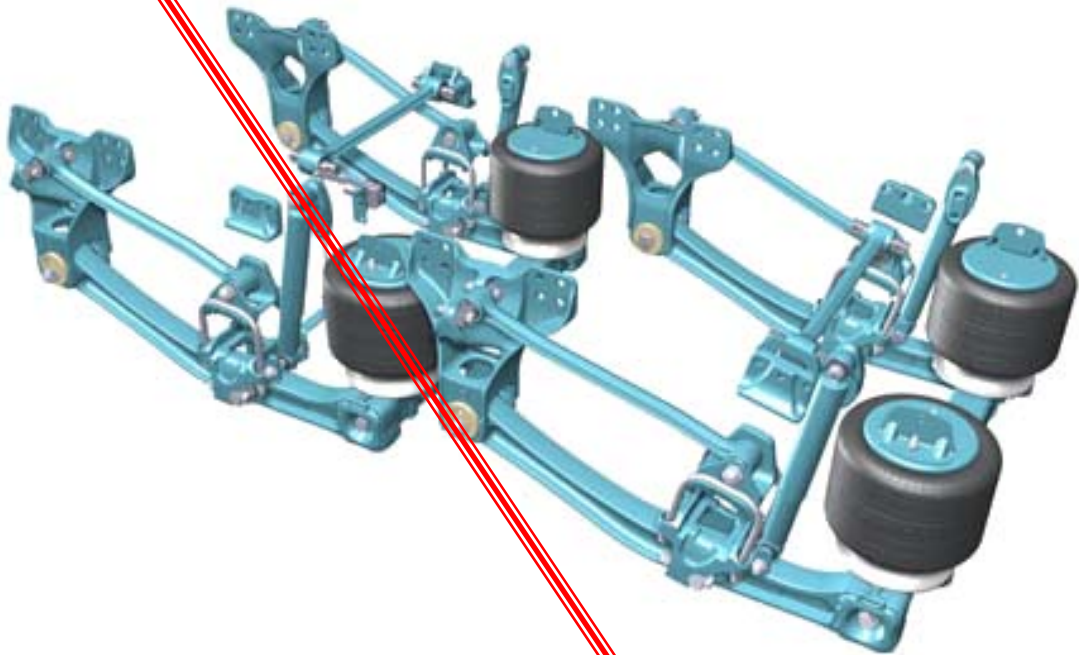




NOW USE 97117-120

~~PRIMAAX™~~

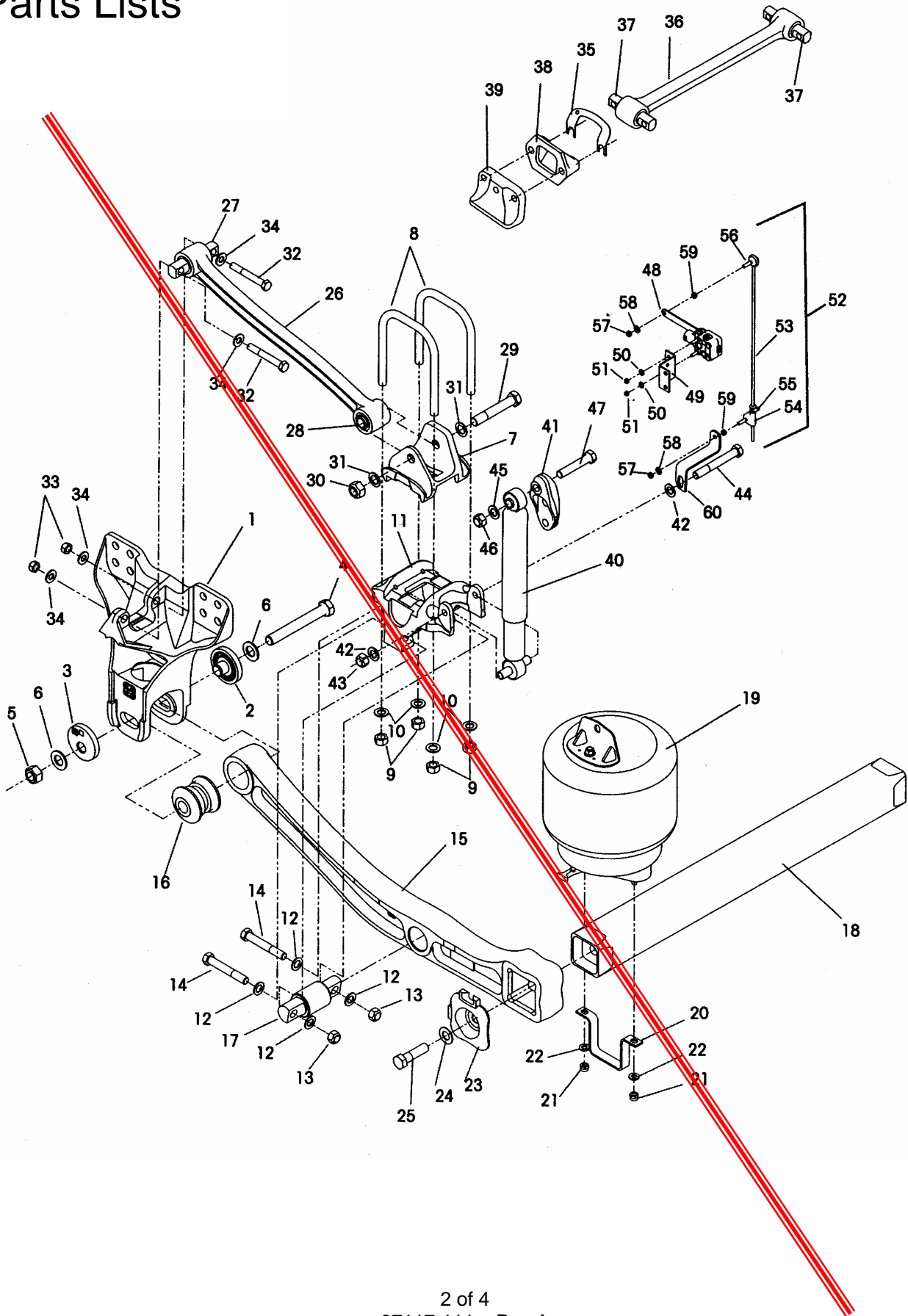


PARTS LISTING

SEPTEMBER 2003



Parts Lists





KEY	NO.*	DESCRIPTION	QTY	KEY	NO.*	DESCRIPTION	QTY
1	60821-001	Frame Hanger [Cast]	4	24	22962-034	7/8" Dacromet Flat Washer	4
	97109-001	Frame Hanger [Fab LH R02]	2	25	50104-003	7/8" Hex Bolt	4
	97109-002	Frame Hanger [Fab RH R02]	2	26		Longitudinal Torque Rod	
	09111-001	Spacer 8mm R01	4		60827-605A	Left front	1
	60632-003	Fastener Kit QUIK-ALIGN	1		60827-605B	Right Front	1
2	64633-000	QUIK-ALIGN Concentric Base	4		60627-645A	Left Rear	1
3	64632-000	QUIK-ALIGN Eccentric Base	4		60627-645B	Right Rear	1
4	64107-000	1.0"-8 UNC-2A Dacromet Hex Bolt	4	27	69210-000	Bushing – Straddle Bar 3/4" holes	4
5	64108-000	1.0"-8 UNC-2B Dacromet Locknut	4	28	47692-000-L	Torque Rod Bushing	4
6	22962-035	1.0" Dacromet Flat Washer	8	29	30418-009	Hex Bolt	4
7	60877-000	Top Pad	4	30	29248-000	Locknut	4
8	48718-107	"U" Bolt Kit	2	31	22962-034	Dacromet Flat Washer	8
9		"U" Bolt Locknut	16	32	21867-018	Hex Bolt	8
10		"U" Bolt Flat Washer	16	33	30191-000	Locknut	8
11	60556-035	Bottom Cap 3.5 Degree	4	34	22962-001	Flat Washer	16
	60556-120	Bottom Cap 12.0 Degree	4	35	49689-000	Shim <i>(May or May not be required)</i>	
12	22962-001	3/4" Flat Washer	16	36	97103-635	Transverse Rod Assy	2
13	30191-000	3/4"-16 UNF Locknut	8	37	44695-000	Bushing-Straddle Bar Pin	4
14	21867-038	3/4"-16 UNF Bolt	8	38	22186-000	Transverse Rod Frame Bracket	2
15		Support Beam Assy (Includes Nos 16-& 17)		39	60593-000	Frame Mounted Axle Stop **	4
	60831-003	Support Beam Assy LHF	1	40	60657-003	Shock Absorber	4
	60831-004	Support Beam Assy RHF	1	41	65000-002	Shock Upper Frame Bracket	4
	60831-001	Support Beam Assy LHR	1	42	22962-004	Flat Washer	8
	60831-002	Support Beam Assy RHR	1	43	47764-000	Locknut	4
16	58648-000	QUIK-ALIGN Pivot Bushing	4	44	32043-017	Bolt	4
17	60383-000	D-Pin Bushing	4	45	22962-001	Flat Washer	4
18	60912-001	Cross Tube	1	46	49842-000	Locknut	4
19	60271-002	Air Spring Assy	4	47	50764-010	Bolt	4
20	60911-000	Lower Air Spring Bracket	4	48	57977-000	Height Control Valve Kit	1
21	17700-010	1/2"-13 UNC Locknut	8		97079-372	Rod – HCV – 375mm R01	1
22	22962-014	1/2" Flat Washer	8		60921-000	Bracket HCV Lower	1
23	60822-000	End Cap	4		49441-219	Decal – Road Friendly	1

***NOTE:** This is a general parts listing to provide directional information. Components may vary. For questions, contact Hendrickson Asia Pacific Pty Ltd on 61 3 9767 3400 or www.hendrickson.com.au for latest information.

**** NOTE:** Item required, components supplied by Hendrickson or vehicle manufacturer. Hendrickson is not responsible for components not supplied by Hendrickson, for assistance with maintenance and / or rebuild of these components, see the vehicle manufacturer

